

Our factory use original high grade diamond

1. Our factory use original high grade diamond

2. Other factory mix second diamond selected from waste segment

Our factory use original high grade diamond



pk

Other factory mix second diamond selected from waste segment

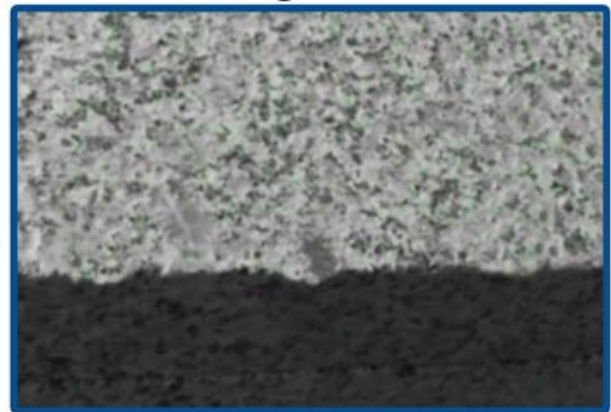


Our blade cutting effect



pk

Other supplier blade cutting effect



Our factory use original high grade diamond

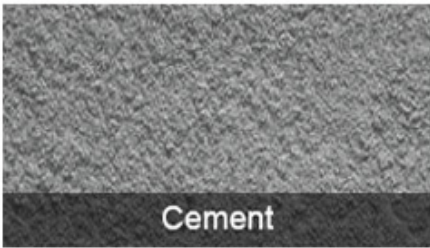
Our factory use original high grade diamond

Item No.	Material	Quantity	Unit	Value	Weight	Grade
43	110	32.3	68/9	8/10/12	4	105
45	115	38.5	8	8/10/12		
5	125	37.5	9	8/10/12		
6	150	33.5	12	8/10/12		
7	180	35	14	8/10/12		
8	200	39.2	14	8/10/12		
9	230	34.4	18	8/10/12		

Our factory use original high grade diamond

□□□ □□□□□□, □□□□□ □□ □□□ □□□□!

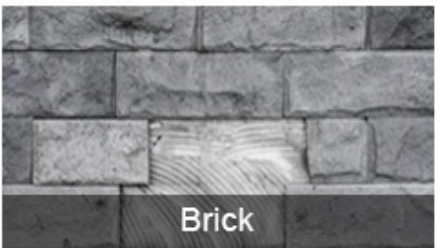
□□□□□□□□ □□□□□ □□□□□ □□□□ □□□□ □□□□ □□□□□ □□□□□□□□□□, □□□□□, □□□□□ □□□□□□, □□□□□ □□□□□□, □□□□□□□□□□ □□□□□ □□□□□ □□□ □□ □□ □□□□□□□□ □□□□



Cement



Ceramic



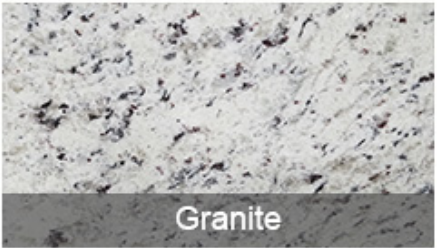
Brick



Concrete



Stone



Granite

□□□□□ □□□□□:

□□□□□□□□ □□□□□ □□□□□ □□□□ □□□□ □□□□ □□□□ □□□□ □□ □□□□ □□□ □□ □□□□□, □□□□□□□□ □□□□□ □□□□□ □□□□□ □□□□□



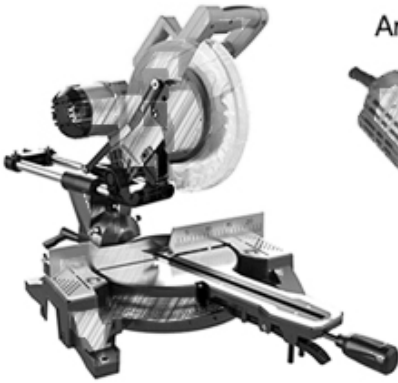
Electric circular saw



Angle Grinder



Multi-function cutting machine



Road cutting machine



□□□□□□□ □□□□□□□:



□□□□□□: □□□□□□□□:

□□□□□□:

1. □□□□□□ □□ □□□□□□ □□□□□□ □□□ □□□□□□ □□□□□□
2. □□□□□ □□□ / □□□□□ □□□ □□□ □□□ □□□, □□□□□ □□□□□□ / □□□□□□ □□□□□□□□ □□
3. □□ □□ □□ 45 kg, □□ □□□ □□ □□□□□□ □□□□□□□□□□ □□□□□□ (□□□□□□□ □□□□□ □□ □□□□ kg)
4. □□ □□□□□□ □□□□□□□□ □□□ □□□□ □□□□, □□ □□ □□□□□□ □□ □□□□□□ □□□ □□□□□□ □□□□ □□□

