

Boreway 180mm T Protection Segment Concave Saw Blade Customize High Quality Disc Plate For Cutting Concrete Granite Marble Stone

Advantage:

180mm Diamond Concave Saw Blade

- 1.Sintered segment
- 2.Delivers a fast, smooth cut
- 3.For light or medium duty cutters
- 4.Can be used wet or dry. Wet use recommend
- 5.Basic quality diamond and economical cutting value
- 6.Designed to cutting brick/block, paves, concrete and stone.

Factory=Quality Control=Competitive Price=Own technology=OEM

Our factory use original high grade diamond



pk

Other factory mix second diamond selected from waste segment



Our blade cutting effect



pk

Other supplier blade cutting effect



Feature:

180mm Diamond Concave Saw Blade

1. Dry and wet use better performance with water
2. Continuous rim makes cutting smoother Turbo segment for dust removal and fast speed
3. With protective teeth, prevent undercutting For angle grinder, circular saw, tuck pointer, etc

boreway®



boreway[®]



boreway[®]



Description:

180mm Diamond Concave Saw Blade faster cutting on kinds of Hard, Medium Hard, Soft Stone, like Granite, Marble, Sandstone, Limestone etc.

B
I
A
D
E
M
S
S
E
E
E
B
I
:

7
I
S
C
R
I
P
T
I
O
M
M
M

S
i
n
t
e
r
e
s
p
o
n
s
a
B
I
a
d
e

S
i
n
t
h
e
s
i
s
e
M
e
t
h
o
d
s
)

A
n
t
i
R
u
s
t
O
i
l
,
G
l
o
s
s
O
i
h
A
n
d
S
p
r
a
y
P
a
i
n
t

S
t
o
n
e
,
M
a
r
b
l
e
,
G
r
a
n
i
t
e
,
C
o
n
c
r
e
t
e
,
T
i
l
e
,
A
s
p
h
a
l
t
E
t
c
.



Specification:

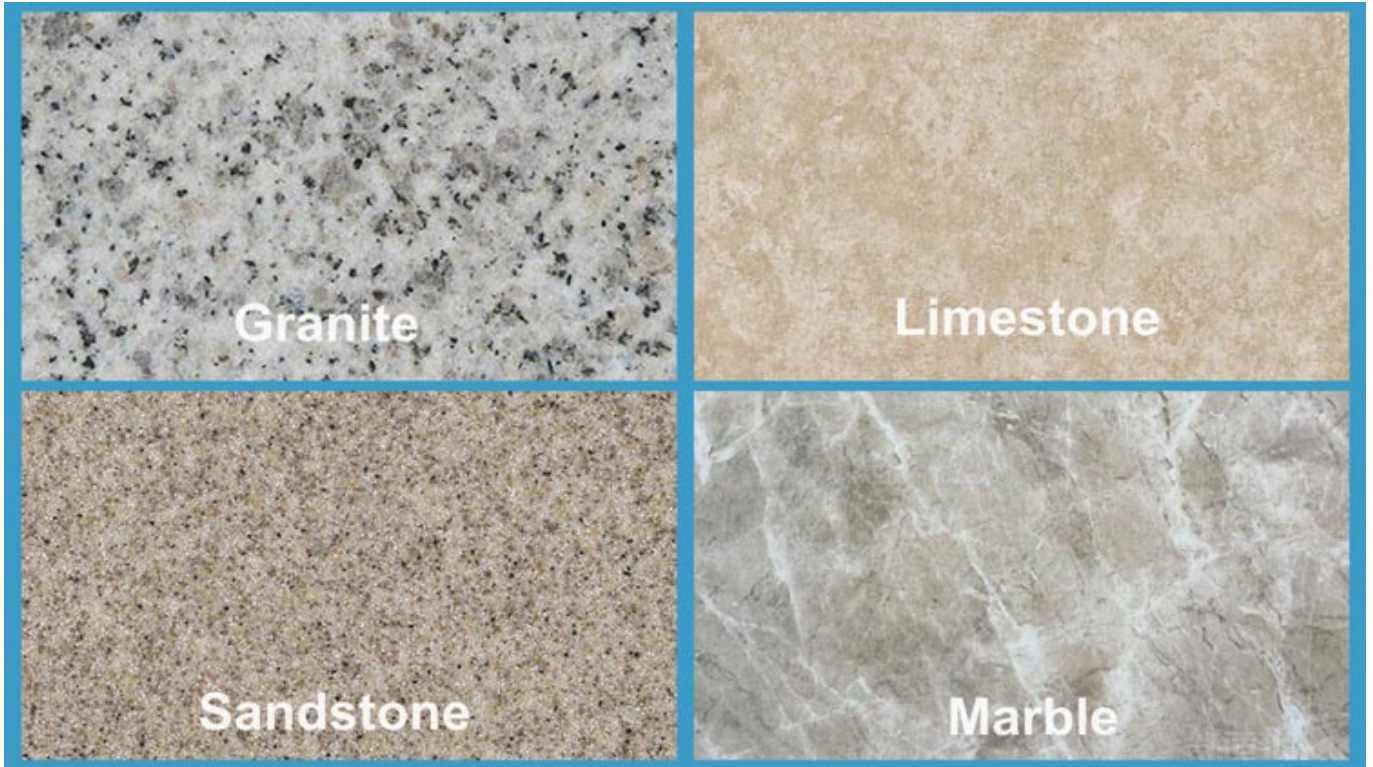
The following are normal specifications **180mm Diamond Concave Saw Blade:**

1
2
3
4
5
6
7
8
9
10
11
12
13
14
15
16
17
18
19
20
21
22
23
24
25
26
27
28
29
30
31
32
33
34
35
36
37
38
39
40
41
42
43
44
45
46
47
48
49
50
51
52
53
54
55
56
57
58
59
60
61
62
63
64
65
66
67
68
69
70
71
72
73
74
75
76
77
78
79
80
81
82
83
84
85
86
87
88
89
90
91
92
93
94
95
96
97
98
99
100

The above specifications is only for reference, other specifications may be available as per customer's demand.

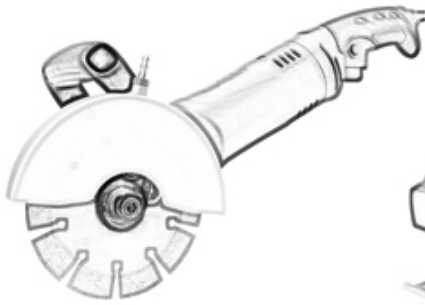
Application:

180mm Diamond Concave Saw Blade is suitable for cutting hard, medium-hard and soft stones, such as granite, marble, sandstone and limestone. Suitable for all kinds of manual cutting machines or angle grinders.

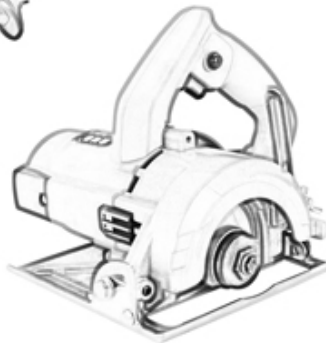


Applications Machine:

180mm Diamond Concave Saw Blade is used to cut round or arc-shaped wire plates for table protection. The cutting effect on both the inner and outer sides is also excellent.



Angle Grinders Machine



Manual Cutting Machine

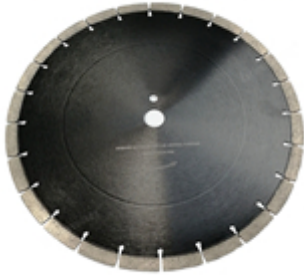




Attention when use:

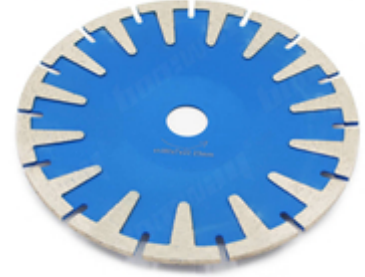
1. Before saw blade installed, pollutions adhering between saw blade and flange shall be removed,
when installing saw blade, the marked direction shall be kept consistent with the rotating direction of electric tools, and flange shall be fastened by spanner attached to electric tools.
2. Do not use any saw blade that has been deformed for being pressed or crashed.
3. When operating, operator must wear safety helmet, safety footwear and goggles, protective glove, additionally, if necessary operator must use earplug, mask and so on
4. Electric tools shall have protective cover.

Related Products:



Boreway Machinery Co., Ltd.
www.diamondtools.top
www.boreway.com

360mm Segmented Sintered Diamond saw blade



Boreway Machinery Co., Ltd.
www.diamondtools.top
www.boreway.net

7 Inch Diamond Saw Blade

About us:



Packing □ Delivery:

PS:

- 1.Tools packing in carton cases
- 2.By Air/Sea for batch goods, Airport/Port receiving
- 3.Less than 45kg, generally delivery by express(Door to Door□
- 4.When tools are in large quantities, they are packing in wooden cases



Our service:

1. Low order quantity: It can meet the test order you need.
2. Fast delivery: We get great discounts from freight forwarders.
3. OEM Acceptable: We can produce according to your samples or drawings.
4. Good quality: We have a strict quality control system. Has a good reputation in the market.
5. Good service: We regard our customers as God with a high degree of professionalism and enthusiasm.

FAQ:

1. If we want to order your product, how do we know your quality?

You can test with a small order, and then you will know the quality. Nowadays, many people

in the world use Chinese products because of their high quality and high cost performance. We are a professional diamond tool manufacturer with more than 8 years of manufacturing experience.

2. Can you provide samples for free?

We do not provide free samples. Based on years of experience, we believe that customers will want them because of their reliable quality. By purchasing samples, we will cherish and appreciate them and make them get more. We are ready to offer our potential customers a special discount on samples. It's very important that you give us feedback, and we will appreciate it.

3. Does your company accept customization?

Of course, we accept customization. Including different colors, cutting objects, etc. We can also tag your own label and company brand. If you want us to make any new products for you, just send your products to us. Whether it's drawings or samples, we have the ability to produce the same products. We will not sell these products to others, only customers can get permission.

Please note:

Please use high frequency Silver Welded machine instead of Fire to make the brazing, the welding time is only a few seconds, otherwise the diamond inside the segments will probably be damaged by the high temperature, then the cutting performance will be Reduced!

Contact us:

Fujian Nanan **boreway** Machinery Co.,Ltd.



No.605 Huahui Center, Shuitou Town 362342 Quanzhou, Fujian, China



TEL: (+86)595-86990206 /



Fax: (+86)595-86990220



Mobile/WhatsApp/Wechat: (+ 86) 18650679939



E-mail: boreway@boreway.com