

## Product Description:

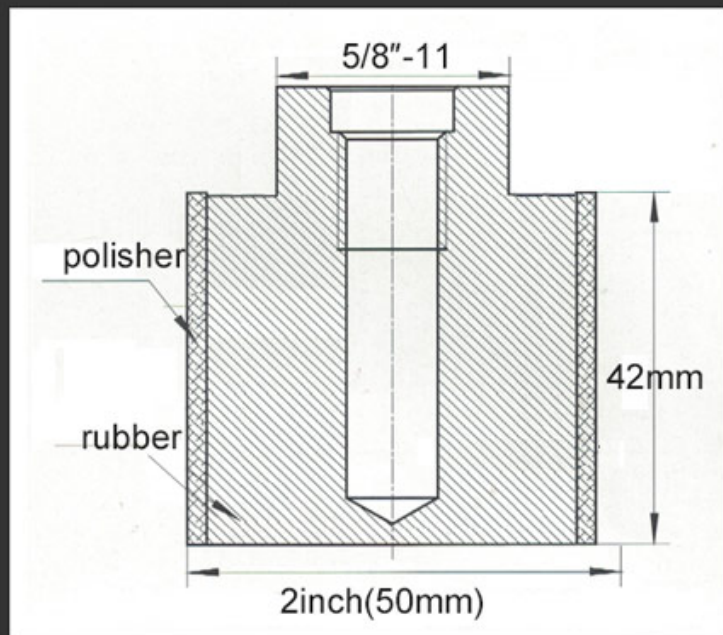
**Diamond Drum Wheel Wholesale** is designed for stock removal on granite and hard stone grinding away excess stone to prepare for polishing.

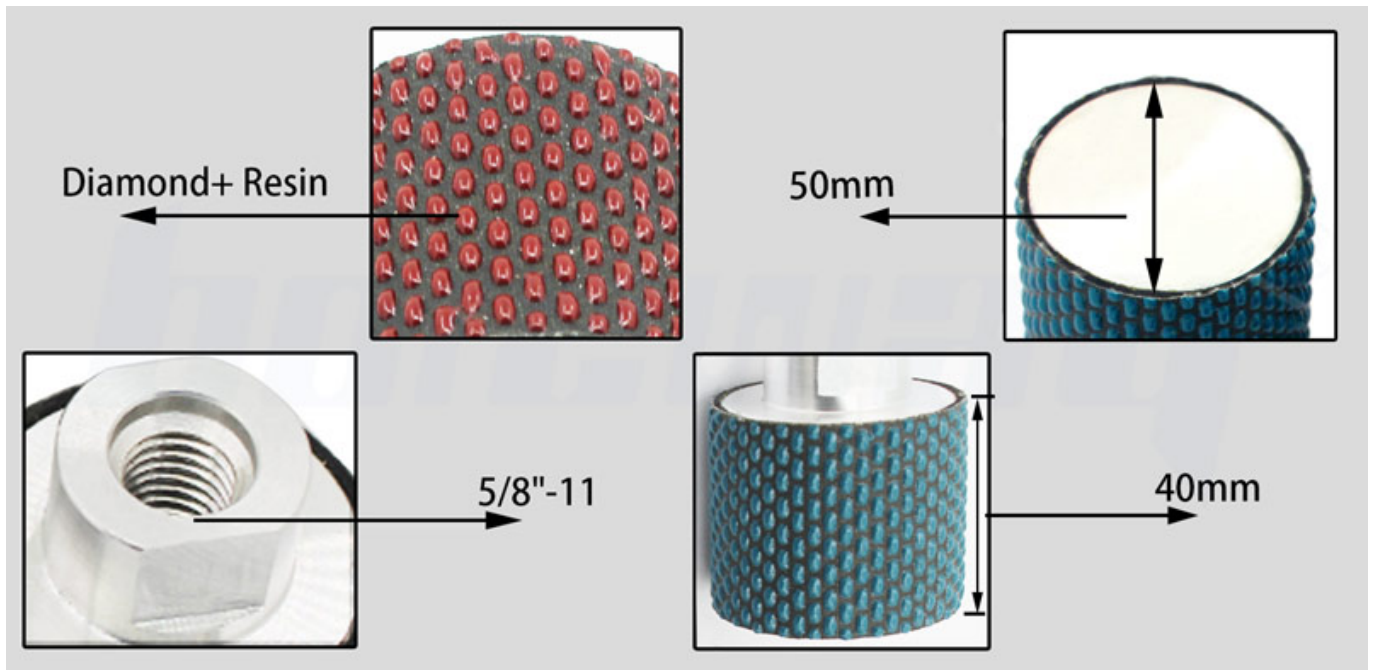
Our diamond resin dry drum wheels are widely used for polishing granite and marble countertop. Diamond Drum Wheel Wholesale with high quality of diamond, diamond resin drum wheels are welcome by our customer from American and Europ.

### Feature:

1. Long life and high efficiency.
2. Good wear resistance and long service life.
3. **BOREWAY Zero Tolerance Grinding Wheel** it has the characteristics of high grinding performance, long life and low noise.
4. **Zero Tolerance Grinding Wheel** it is mainly used to fix the thickness of stone slabs and adjust its flatness and smoothness.

## Resin Bond Polishing Drum





**Specification:**

Specification of **Diamond Drum Wheel Wholesale:**

Diameter	Grit No.	Thickness	Word Type
2 inch ( 50mm)	50# / 100# / 200# / 400#/ 800# / 1500# / 3000#	40mm	Dry use polishing

**Other Specification:**

Diameter	Bore(mm)	Segment Length
20mm (3/4")	M14	40mm 45mm 50mm 60mm
25mm (1")	5/8"-11	
30mm (1-1/4")	1/2 Gas (Male Thread)	
35mm (1-3/8")		

The above specifications are for reference, other specifications can be ordered by customers.

**Application:**

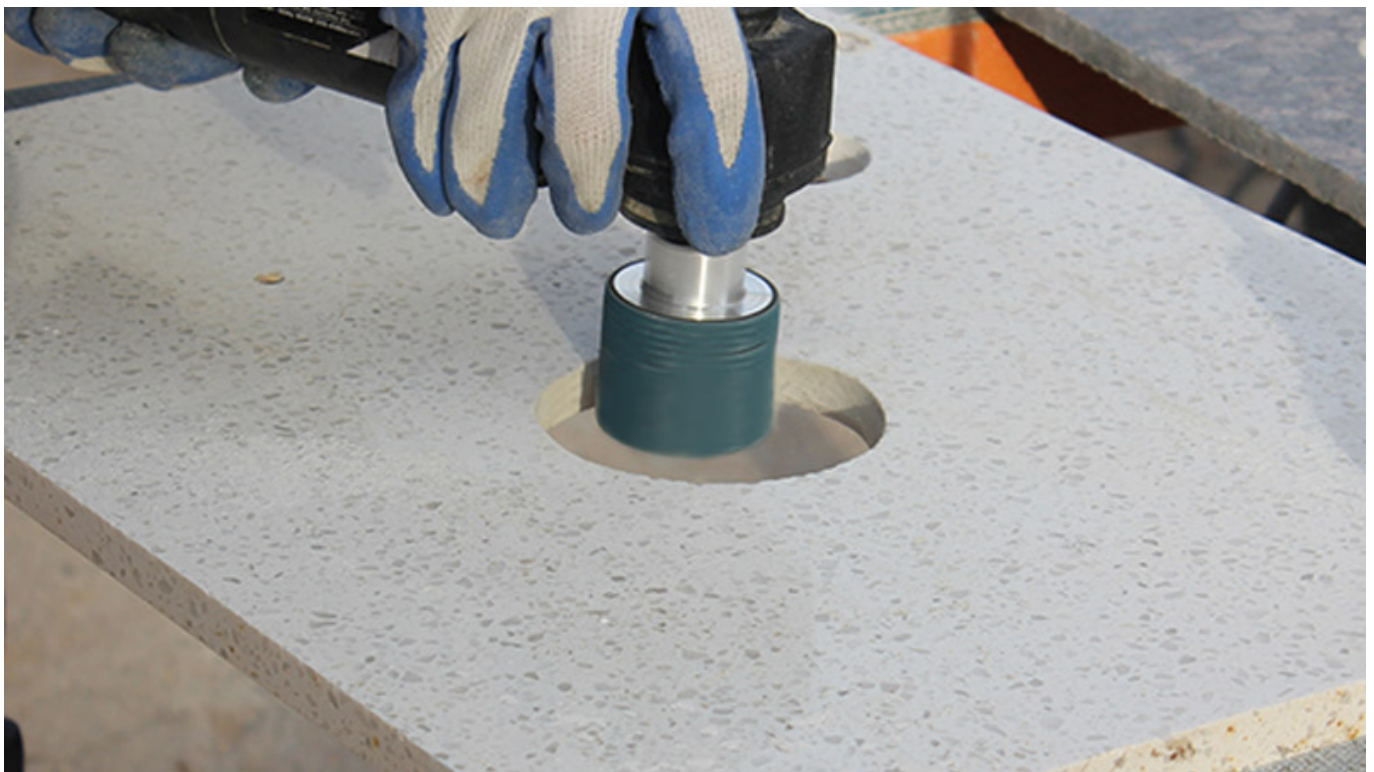
BOREWAY [Zero Tolerance Grinding Wheel Supplier](#) For polishing the sink holes on granite & marble countertops.

**Usage:** For Removing The Edge Of Counter Top,Basin,Sink Etc

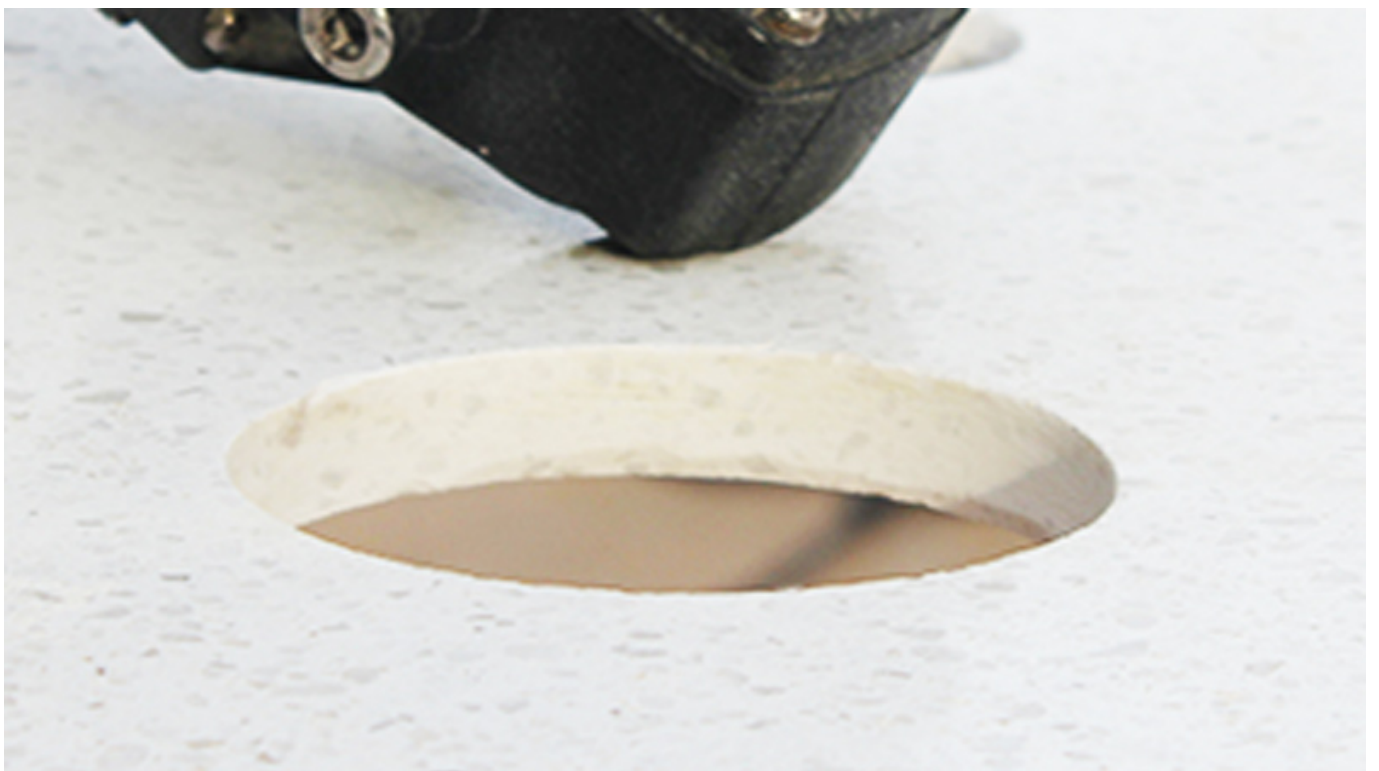
**Note:** can't be used on angle grinder, less than 4500rpm

1.Mounted on stone polisher,radial arm polisher,etc.

2.One set comes in 7pcs,namely 7grits:50#.100#. 200#. 400#. 800#. 1500#. 3000#.







**About us:**



## Packing □ Delivery:

- 1.Tools packing in carton cases
- 2.By Air/Sea for batch goods, Airport/Port receiving
- 3.Less than 45kg, generally delivery by express(Door to Door)□
- 4.When tools are in large quantities, they are packing in wooden cases





- For sample or small orders, products could be sent by express, TNT, DHL, UPS, FedEx, EMS etc.
- For large orders, shipping by sea or air is recommended. By our long-term cooperate agent or your appointed forward.
- By sea, port of loading: Shanghai, Ningbo, Xiamen, Qingdao etc.



## Our Service:

1. Low order quantity: It can meet the test order you need.
2. Fast delivery: We get great discounts from freight forwarders.
3. OEM Acceptable: We **Zero Tolerance Grinding Wheel** can produce according to your samples or drawings.
4. Good quality: We have a strict quality control system. Has a good reputation in the market.
5. Good service: We regard our customers as God with a high degree of professionalism and enthusiasm.

## FAQ:

### **1.How could we know the quality, if we want to order your products?**

Please just test them with a very small order, then you will know the quality. At present,so many people in the world to use Chinese products, because of the high quality and most competitive prices. We are professional manufacturer in supplying diamond tools for more than 8 years. Anyway, confirming our products quality, a small trial order for testing will be necessary.

### **2.Can you offer free samples?**

We don't offer free samples, according to our many years experience, we think people get the samples by paying, they will cherish and appreciate more what they get. But we are willing to give our potential customers a special discount which they are used to do a testing. It is very important to give us feedback, we appreciate it.

### 3.Does your company accept custom-made?

Surely, we accept it. Including differentcolor, grit etc. We a lso can mark your ownlogo and brand on the pad. Any new productsyou want us to produce for you, just send us your drawing or sample, we will produce the same one. We will not sell this kind of products to other customers only if we get your permission.

### Logistics:

Sample order ship by DHL, UPS, FedEx, TNT, EMS etc

For mass order delivery, can be optional with terms of Exwork, FOB, CNF, CIF by air or by sea based on the buyer's forwarder or ours

### Contact Us:

Fujian Nanan **boreway**® Machinery Co.,Ltd.



No.605 Huahui Center, Shuitou Town 362342 Quanzhou, Fujian, China



**TEL:** (+86)595-86990206 /  **Fax:** (+86)595-86990220



**Mobile/WhatsApp/Wechat:** (+ 86) 18650679939



**E-mail:** [boreway@boreway.com](mailto:boreway@boreway.com)



**Lyon Chang**