

T Segment Circular Diamond Sharp Cutting Long Working Life Wet Use Cut Professional Quality Blade

Description:

T Segment Circular Diamond Sharp Cutting Blade suitable for cutting hard, medium-hard and soft stones, such as granite, marble, sandstone, limestone, etc. Suitable for all kinds of manual cutting machines or angle grinders.

Segment Height:	8mm
Blade Material:	Diamond
Business Type:	Manufacturer
Size:	4Inch,105mm
Bore Size:	20mm,22.23mm
Type:	Concave Cutting Blade
Segment Type:	Turbo, Continuous Rim, Segmented, Concave.
Application:	Concrete, Tile, Asphalt,Stone, Marble, Granite,Etc.



Advantage:

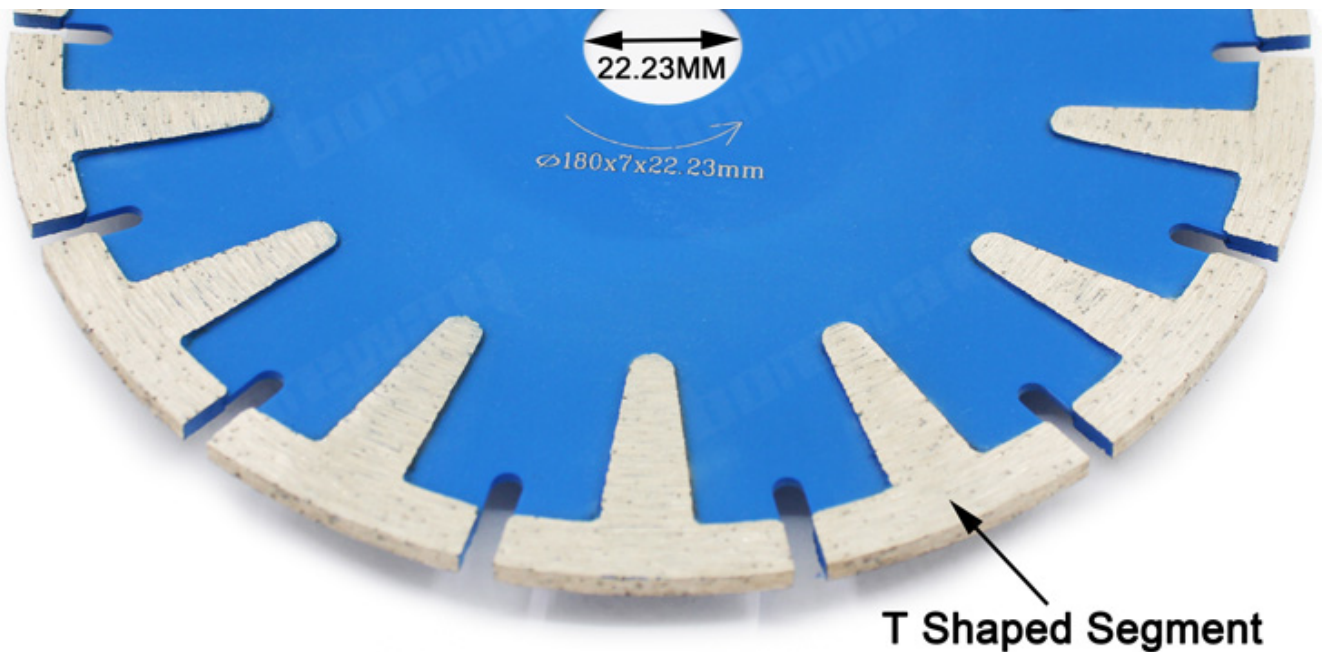
T Segment Circular Diamond Sharp Cutting Blade

- 1.Sintered segment
- 2.Delivers a fast, smooth cut
- 3.For light or medium duty cutters
- 4.Can be used wet or dry. Wet use recommend
- 5.Basic quality diamond and economical cutting value

6. Designed to cutting brick/block, paves, concrete and stone.

7. Inlet segments extend down into the core to help slow wearing process, increasing blade life

Factory=Quality Control=Competitive Price=Own technology=OEM



Specification:

The following are normal specifications **T Segment Circular Diamond Sharp Cutting Blade :**

Diameter	Bore (mm)	Segment Height
105mm(4 inch)	20mm/22.23mm	8mm
125mm(5 inch)		
150mm(6 inch)		
180mm(7 inch)		

The above specifications is only for reference, other specifications may be available as per customer's demand.

Feature:

T Segment Circular Diamond Sharp Cutting Blade

1. Diamond concave saw blade
2. Dry and wet use for better performance
3. Continuous changes make the cutting smoother.
4. Protect teeth to prevent damage to the substrate.

Applications:

T Segment Circular Diamond Sharp Cutting Blade for hand hold circular saw and angle grinders. Provide fast, free, smooth cutting in brick, tile, concrete, stone and other building material.

As the saw blade size is small and medium, it is easy to use, in the cutting is no deformed, flexible usage, is the most commonly used one of the series of diamond cutting disc.

Dry or Wet Use!



Applications Machine:

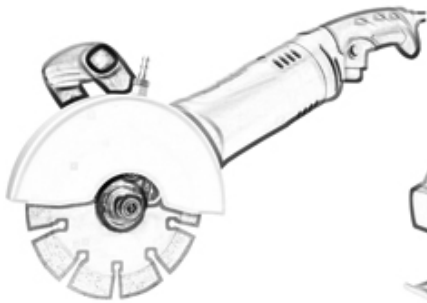
T Segment Circular Diamond Sharp Cutting Blade

- a) Smooth and fast cutting and curving.
- b) Long life and stable performance

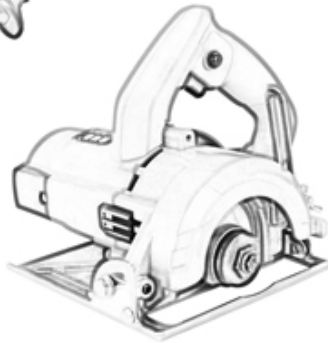
c) Competitive price and superior quality

d) Dry or wet cutting and curving.

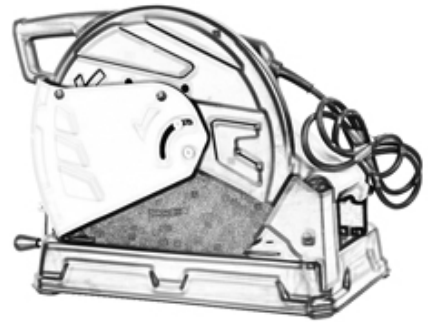
e) Color can be done based on client's



Angle Grinders Machine



Manual Cutting Machine



T Segment Circular Diamond Sharp Cutting Blade for all kinds of manual cutting machines or angle grinders.





Attention when use:

1. Before saw blade installed, pollutions adhering between saw blade and flange shall be removed,
when installing saw blade, the marked direction shall be kept consistent with the rotating direction of electric tools, and flange shall be fastened by spanner attached to electric tools.
2. Do not use any saw blade that has been deformed for being pressed or crashed.
3. When operating, operator must wear safety helmet, safety footwear and goggles, protective glove, additionally, if necessary operator must use earplug, mask and so on
4. Electric tools shall have protective cover.

Related Products:



Boreway Machinery Co.,Ltd
www.diamondtools.top
www.boreway.net

Silver Welding Diamond Saw Blade Segment



Boreway Machinery Co.,Ltd
www.diamondtools.top
www.boreway.net

Wire Saw For Cutting Soft Stone Ceramics

About us:





Packing □ Delivery:

PS:

- 1.Tools packing in carton cases
- 2.By Air/Sea for batch goods, Airport/Port receiving
- 3.Less than 45kg, generally delivery by express(Door to Door)□
- 4.When tools are in large quantities, they are packing in wooden cases



Our Service:

1. Low order quantity: It can meet the test order you need.
2. Fast delivery: We get great discounts from freight forwarders.
3. OEM Acceptable: We can produce according to your samples or drawings.
4. Good quality: We have a strict quality control system. Has a good reputation in the market.
5. Good service: We regard our customers as God with a high degree of professionalism and enthusiasm.

FAQ:

1. If we want to order your product, how do we know your quality?

You can test with a small order, and then you will know the quality. Nowadays, many people in the world use Chinese products because of their high quality and high cost performance. We are a professional diamond tool manufacturer with more than 8 years of manufacturing experience.

2. Can you provide samples for free?

We do not provide free samples. Based on years of experience, we believe that customers will want them because of their reliable quality. By purchasing samples, we will cherish and appreciate them and make them get more. We are ready to offer our potential customers a special discount on samples. It's very important that you give us feedback, and we will

appreciate it.

3. Does your company accept customization?

Of course, we accept customization. Including different colors, cutting objects, etc. We can also tag your own label and company brand. If you want us to make any new products for you, just send your products to us. Whether it's drawings or samples, we have the ability to produce the same products. We will not sell these products to others, only customers can get permission.

Please Note:

Please use high frequency Silver Welded machine instead of Fire to make the brazing, the welding time is only a few seconds, otherwise the diamond inside the segments will probably be damaged by the high temperature, then the cutting performance will be Reduced!

Contact Us:

Fujian Nanan **boreway**® Machinery Co.,Ltd.



No.605 Huahui Center, Shuitou Town 362342 Quanzhou, Fujian, China



TEL: (+86)595-86990206 /



Fax: (+86)595-86990220



Mobile/WhatsApp/Wechat: (+ 86) 18650679939



E-mail: boreway@boreway.com



Lyon Chang