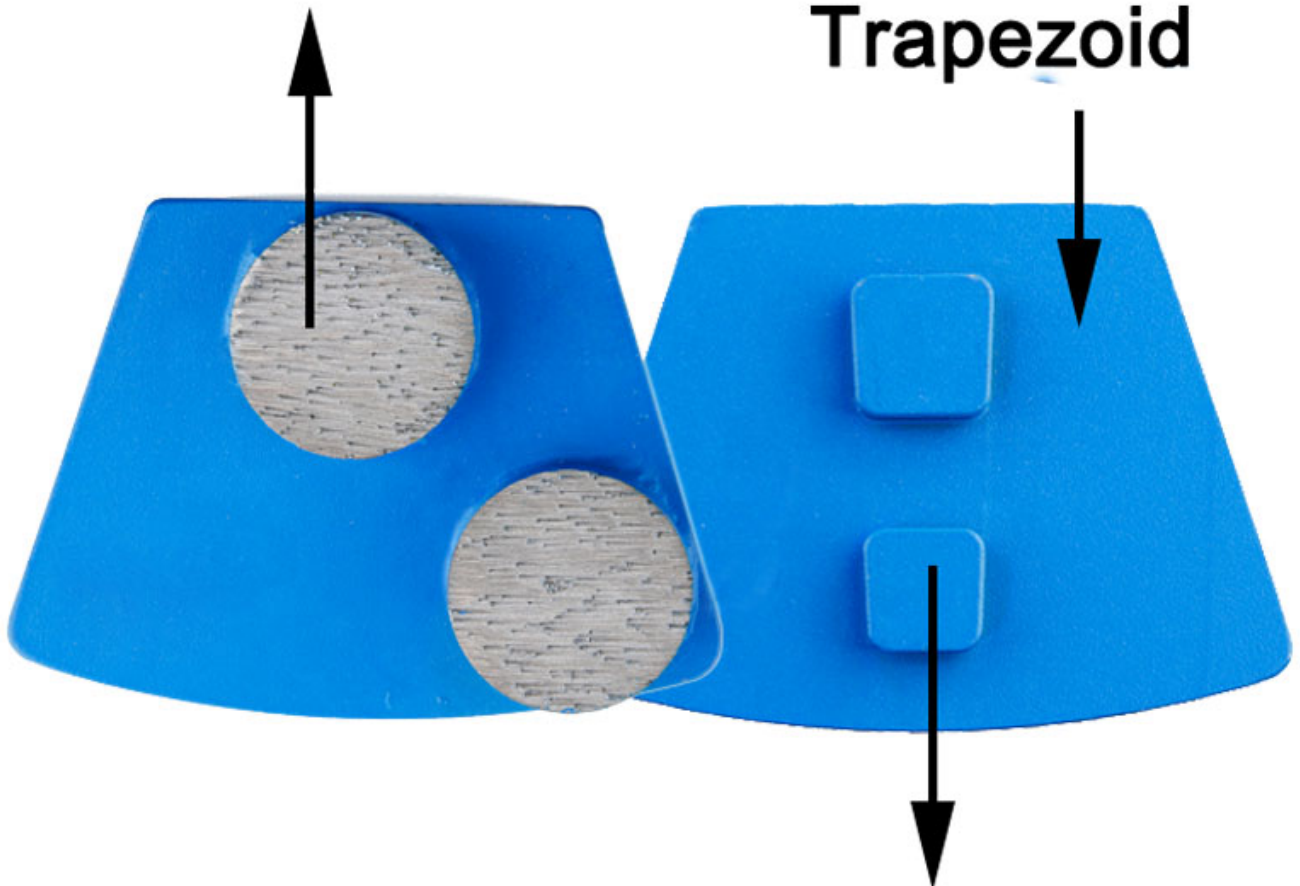


Best Selling Products Two Round Segment Diamond Grinding Disc Dry Use Polishing Pads For STI Grinding Machine

Description

Diamond Round Head

Trapezoid



Connection Plate Connector

Two Round Segment Diamond Grinding Disc

Two Round Segment Diamond Grinding Disc quick change attachment ,aggressiveness and high efficiency ,and Long-lasting durability.

Two Round Segment Diamond Grinding Disc used for fundamental processing of all kinds of concrete floor, terrazzo, stone floor leveling, coarse grinding, fine grinding before much more finer polishing steps.

Specifications:

The followings are the normal specifications:

Segment Size	Girt	Segment Type	Type	Application
10mm,12mm	6#-400#	Round Segments	Metal Abrasive Shoe	STI Floor Grinder

The above specifications are for reference, other specifications can be ordered by customers.

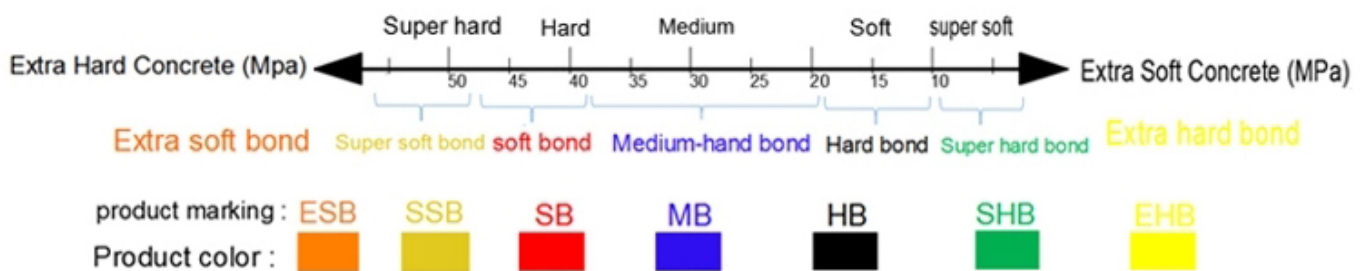
Advantages

1. Fast delivery.
2. The packing is firm and exquisite.
3. Sharp and durable Metal bond diamond.
4. High efficiency grinding concrete floor.
5. Competitive price and superior quality.
6. Excellent pre-sales and after-sales service.

Two Round Segment Diamond Grinding Disc For STI Grinding Machine use in Concrete Floor Trapezoid Two Round Segments Diamond Grinding Block Dry Polishing Pad.

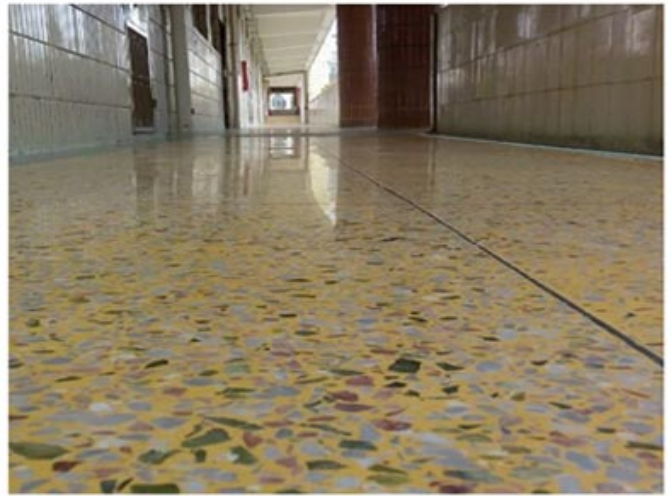
Grit:6#, 16/18#, 20/25#, 30/40#, 50/60#, 70/80#, 80/100#,120/150#, 200/220#,325/400#

Colour:



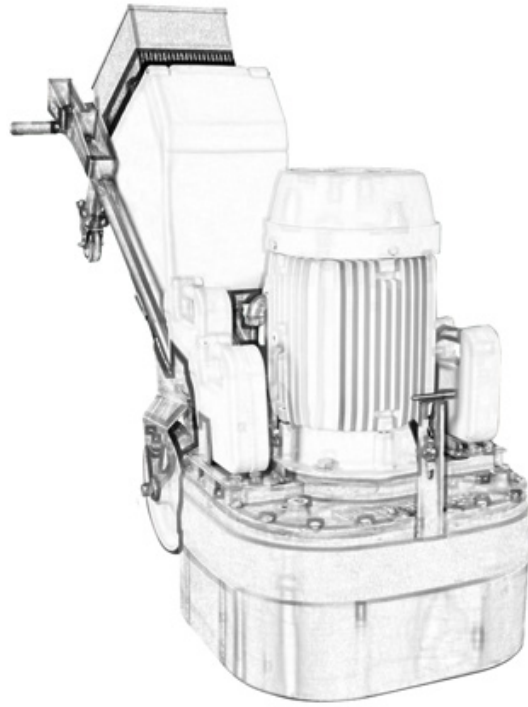
Application

Two Round Segment Diamond Grinding Disc use for concrete terrazzo stone floor.



Machine

Two Round Segment Diamond Grinding Disc suitable for STI floor grinders.



Packing □ Delivery:

PS:

- 1.Tools packing in carton cases
- 2.By Air/Sea for batch goods, Airport/Port receiving
- 3.Less than 45kg, generally delivery by express(Door to Door)□
- 4.When tools are in large quantities, they are packing in wooden cases



- For sample or small orders, products could be sent by express, TNT, DHL, UPS, FedEx, EMS etc.
- For large orders, shipping by sea or air is recommended. By our long-term cooperate agent or your appointed forward.
- By sea, port of loading: Shanghai, Ningbo, Xiamen, Qingdao etc.



Logistics:

Sample order ship by DHL, UPS, FedEx, TNT, EMS etc

For mass order delivery, can be optional with terms of Exwork, FOB, CNF, CIF by air or by sea based on the buyer's forwarder or ours

Our Service:

We have a strict quality control system□



1.Low MOQ: It can meet your trial order need well.

2.OEM Accepted: We can produce according to your sample or drawings.

3.Good Service: We treat our clients as God with high professionalism and passion.

4.Good Quality: We have strict quality control system. Good reputation in the market.

5.Fast Delivery: We have big discount from forwarder.

FAQ:

1.How could we know the quality, if we want to order your products?

Please just test them with a very small order, then you will know the quality. At present,so many people in the world to use Chinese products, because of the high quality and most competitive prices. We are professional manufacturer in supplying diamond tools for more than 8 years. Anyway, confirming our products quality, a small trial order for testing will be necessary.

2.Can you offer free samples?

We don't offer free samples, according to our many years experience, we think people get the samples by paying, they will cherish and appreciate more what they get. But we are willing to give our potential customers a special discount which they are used to do a testing. It is very important to give us feedback, we appreciate it.

3.Does your company accept custom-made?

Surely, we accept it. Including different color, grit etc. We also can mark your own logo and brand on the pad. Any new products you want us to produce for you, just send us your drawing or sample, we will produce the same one. We will not sell this kind of products to other customers only if we get your permission.

Kindly Notice:

- 1.Please provide the material before purchase.
- 2.Before purchase, please provide the model of the machine.
- 3.Other specifications can be customized according to requirements.

Contact Us:

Fujian Nanan **boreway** Machinery Co.,Ltd.



No.605 Huahui Center, Shuitou Town 362342 Quanzhou, Fujian, China



TEL: (+86)595-86990206 /



Fax: (+86)595-86990220



Mobile/WhatsApp/Wechat:(+ 86) 18650679939



E-mail: boreway@boreway.com



Lyon Chang

