




□□ □□ :

□□□□ □ □□□ □□ □□ □□ □□□□ □□ □□ □□□□ □□ □□ □ □□□□□. □□ □□ □□.

□□□□□ □□□□□ □□ □□□□ □ □ □□□□ □□□□ □□ □ □ □□ □□□□□ □□ □□□□ □ □ □□□□ □□ □□ □□□□ □ □□ □□□□ □ □□ □□□□ □ □□□□□.

Boreway (□□ □□ □ □□□ □□ □□□□ □□ □□) □□□□ □□□□ □□□□ □□, □□ □ □□□ □□, □□ □□ □□ □□ □ □□□ □□□□ □□ □ □□□ □□□□□ □□ □□□□ □□□□□□.

□ □□□ □□ □□ □□□□

	<p>1. □□□□ □□. cymbiform □ □ □□□□□ □□□□□ □□□□□ □□□□□ □□ □□□□ □□ □□ □□□□□ □□□□□ □□ □□□□ □□ □□ □□□□□. □□ □□, □□ □□□□ □□□□, □□ □□□□ □ □□ □□ □□□□ □□□□□ □□ □□ □□□□ □□ □□□□□ □□□□□□ □□□□□ □□□□ □ □□□□□.</p>
	<p>2. □□□□ □□. □□□□ □□ □ □□ □□□□□ □□□□□, □□□□□ □□ □□□□□ □□ □□□□ □□□□ □□□□□. □ □□ □ □□□□ □□□□□ □□□□ □□ □□ □□ □□ □ □ □□ □□□□□ □□ □□□□ □□□□ □□ □□□□ □□□□□ □□□□□.</p>
	<p>3. □ □□□ □□. □□□□□ □□□□ □□□□□□, □□□□ □□□□□ □□□□ □□□□□ □□□□□□□□ □□ □ □□ □□□ □ □□□□□.</p>

□□:

□□ □□ □□□□□□ □□□ □□□ □□ □□□ :

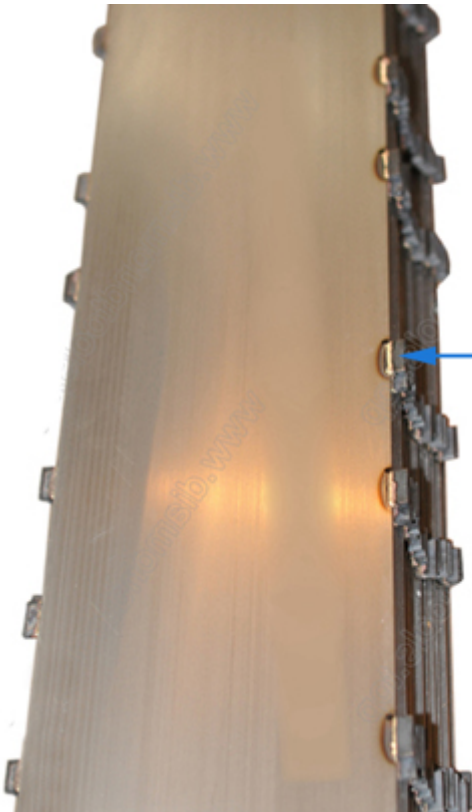
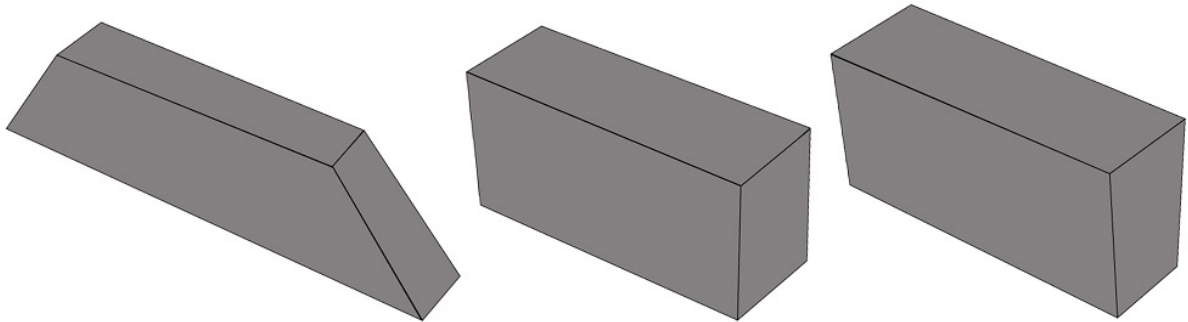
□□ □□□	□□□□ □□ (mm)	180
	□□ □□ (mm)	3950,4100 4400,4600
	□□□□ □□ (mm)	1.5,1.75, 2.0, 2.5
□□□□ □□	□□ (mm)	20-50
	□ (mm)	2.4 / 2.2, 2.8 / 2.4, 3.5 / 2.9, 4.2 / 3.6

□□ □□□

□□ □□	□□ □□	□□ □□
□□□□ □□ □□□ Beige Stone Series	4000M ²	14-20cm / h
Emperador Stone □□□	20000M ²	12-18cm / h

□ □□□ □□□	45000M ²	16-18cm / h
□□ □□□	8000M ²	45-80cm / h
□□ □□ □□□	10000M ²	25-35cm / h

□□□ □□□ □□ □□ □□□ □□□ □ □□□□.



Diamond Gang Saw



Boreway has created a complete range of diamond blades suitable for many different types of gang saw used, different materials to cut, specific quality needs and cutting speeds requested by the customers.

□□ :

1. □□.
2. □□□.
3. Narrow Saw Kerf.
4. □□□□ □□ □□
5. □□ □ □ □□□□□□ □ □□.
6. □□ □□ □□, □□ □□□ □ □□ □□.
7. □□ □□□ □□ □□□□ 25 % -35 % □□□□□□.



□□ □ □□ :

1. □□ □□□□ □□□□ □□;
- □□□□□ □□□□ 2.Large □□;
3. □□□ □□□□ □□ □□□□ □□□□□.



- For sample or small orders, products could be sent by express, TNT, DHL, UPS, FedEx, EMS etc.
- For large orders, shipping by sea or air is recommended. By our long-term cooperate agent or your appointed forward.
- By sea, port of loading: Shanghai, Ningbo, Xiamen, Qingdao etc.



□□□ □□□:

1. □□ □□ □□ : □□□ □□□ □□□□□ □□□ □□□ □□ □ □□□□.
2. □□ □□ : □□□ □□ □□□□□□ □ □□□ □□□□.
3. □□ □□□ OEM : □□□ □□□ □□ □□ □□□ □□ □□□□ □□□□.
4. □□□ □□ : □□□ □□□ □□ □□ □□□□ □□□□. □□□□ □□ □□□ □□ □□□□.
5. □□□ □□□ : □□□ □□ □□□ □□□□ □□□□ □□□ □□□□□ □□□□.

□□□□:

Fujian Nanan *boreway*® Machinery Co.,Ltd.



No.605 Huahui Center, Shuitou Town 362342 Quanzhou, Fujian, China



☎ : (+86) 595-86990206 /  ☎:(+86) 595-86990220



☎ / **WhatsApp / Wechat** :(+ 86) 18650679939



✉: **boreway@boreway.com**



Lyon Chang