

Boreway 3 Inch 30S Redi-lock Bush Hammer Roller Plate For Grinding Concrete Manufacturer

Feature:

3 Inch Redi-lock Bush Hammer Roller

1. For floor preparation before laying new coatings.
2. Scarify any kind of surface and create antique surface.
3. Make safety anti-slip surfaces on concrete and natural stones.
4. Remove old glue and resin coatings, in particular thick resins.
5. Expose the aggregate in concrete floors to prepare for concrete polishing.

Introduction:

3 Inch Redi-lock Bush Hammer Roller is designed to pulverize the surface of concrete making it fast and easy to get to full aggregate exposure. It is also great for coating removal.

Bush hammer tools is suitable for surface fabricating, making bush hammered effects for stone products. It's scrollable and highly efficient, for example, a roller of 200mm's diameter can fabricating more than 100 square meters stone products per day. We can sell the roller separately, and we have plenty of styles and specifications for the roller starts form 125mm to 700mm. And the pings of roller can be customized as well.

Our Husqvarna redi-lock bush hammer roller adopted the sophisticated welding technology and selecting high quality aluminum alloy to casting, bush hammerer's grit can be changed through the adjustment of spring elasticity on bush hammer, manual grinding machine press. Both enlarging spring's interval to reduce spring elasticity and reducing machine's press can enhance bush hammer vibration to make bush hammered face rough. Widely used on granite, marble sandstone to make rough surface.

3 Inch Redi-lock Bush Hammer Roller for stone surface fabricating, making bush hammered effect for stone products.

Specifications:

The followings are the normal specifications of our **3 Inch Redi-lock Bush Hammer Roller**:

Type	Grains No.	Material	Application	Usage
------	------------	----------	-------------	-------

Abrasive Block	30S/45S/60S	Diamond + Metal Powder	Granite, Sandstone, Marble, Limestone	Bush Hammer Roller for Grinding
----------------	-------------	------------------------	---------------------------------------	---------------------------------

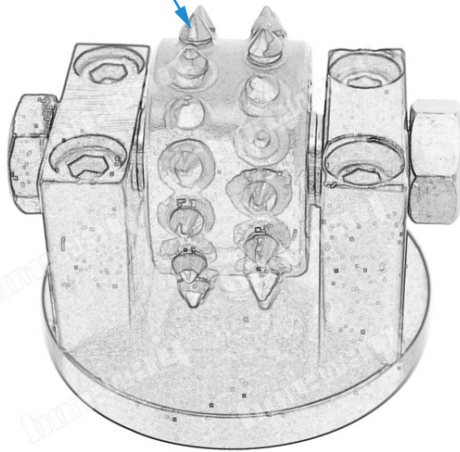
The above specifications are for reference, other specifications can be ordered by customers.

Product Details:

3 Inch Redi-lock Bush Hammer Roller is designed to pulverize the surface of concrete making it fast and easy to get to full aggregate exposure. It is also great for coating removal.

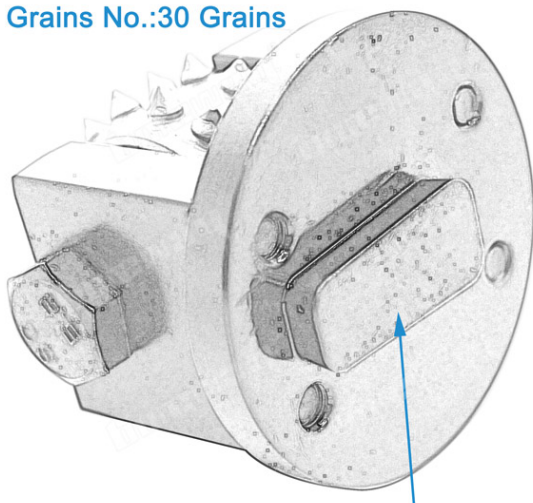
boreway®

2 Rows (30 Teeth)
Application: Concrete, Stone



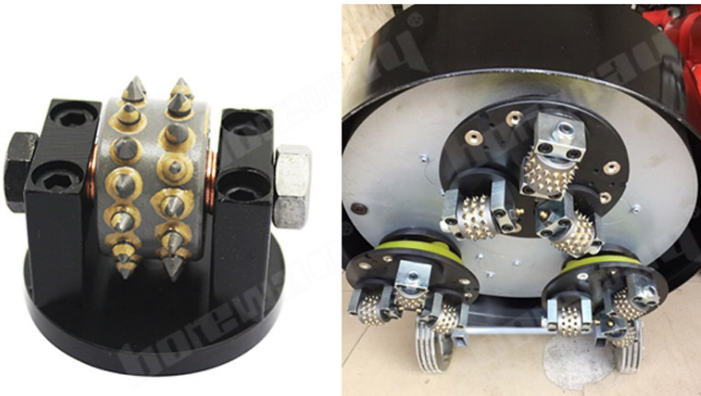
boreway®

Grains No.: 30 Grains



Redi Lock Bush Hammer

boreway®



boreway®



Application:

1. **3 Inch Redi-lock Bush Hammer Roller** for stone surface fabricating, making bush hammered effect for stone products.
2. To remove old glue and resin coatings, particularly thick resins.
3. Use as a scarifying machine with the advantage that it is aggressive, but gentle enough not to “dig” uncontrollably into the floor surface.
4. For floor preparation before laying new coatings.

5. To expose the aggregate in concrete floors to prepare for concrete polishing.
6. Creates slip-resistant finish on granite and marble, breaks down coatings standard diamonds can't touch, prepares surface for application of thin-set overlay.
7. The repeated hit of these carbide tips into stone or concrete surface creates a rough, pockmarked texture that looks like naturally weathered rock.

Applications Machine:

3 Inch Redi-lock Bush Hammer Roller for Husqvarna PG series floor grinding & polishing machines:

PG820RC, PG820, PG680RC, PG680, PG530, PG450, PG400, PG280.

Bush Hammer is used sophisticated welding technology and selecting high quality aluminum alloy to casting, bush hammerer's grit can be changed through the adjustment of spring elasticity on bush hammer, manual grinding machine press. Both enlarging spring's interval to reduce spring elasticity and reducing machine's press can enhance bush hammer vibration to make bush hammered face rough. Widely used on granite, marble sandstone to make rough surface.



Installation effect:



Other Products:

If you want more details of bush hammer, please contact us.



Boreway Machinery Co.,Ltd
www.fordiamondtools.com
www.diamondtools.top



Boreway Machinery Co.,Ltd
www.diamondtools.top
www.boreway.net



Boreway Machinery Co.,Ltd
www.fordiamondtools.com
www.diamondtools.top



Boreway Machinery Co.,Ltd
www.fordiamondtools.com
www.diamondtools.top



Boreway Machinery Co.,Ltd
www.fordiamondtools.com
www.diamondtools.top

Boreway Machinery Co.,Ltd
www.fordiamondtools.com
www.diamondtools.top

Boreway Machinery Co.,Ltd
www.fordiamondtools.com
www.diamondtools.top



Boreway Machinery Co.,Ltd
www.fordiamondtools.com
www.diamondtools.top



Boreway Machinery Co., Ltd.
www.diamondtools.top
www.boreway.com

Boreway Machinery Co.,Ltd
www.fordiamondtools.com
www.diamondtools.top

Boreway Machinery Co.,Ltd
www.fordiamondtools.com
www.diamondtools.top



Boreway Machinery Co.,Ltd
www.fordiamondtools.com
www.diamondtools.top



Boreway Machinery Co., Ltd
www.diamondtools.top
www.boreway.net



Boreway Machinery Co., Ltd
www.fordiamondtools.com
www.diamondtools.top



Boreway Machinery Co., Ltd
www.fordiamondtools.com
www.diamondtools.top



Boreway Machinery Co., Ltd
www.diamondtools.top
www.boreway.com



Boreway Machinery Co., Ltd
www.diamondtools.top
www.boreway.com



Boreway Machinery Co., Ltd
www.fordiamondtools.com
www.diamondtools.top



Boreway Machinery Co., Ltd
www.diamondtools.top
www.boreway.com



Boreway Machinery Co., Ltd
www.diamondtools.top
www.boreway.com

Packing □ Delivery:

PS:

- 1.Tools packing in carton cases
- 2.By Air/Sea for batch goods, Airport/Port receiving
- 3.Less than 45kg, generally delivery by express(Door to Door□)
- 4.When tools are in large quantities, they are packing in wooden cases



Our Service:

- 1.Low MOQ: It can meet your trial order need well.
- 2.OEM Accepted: We can produce according to your sample or drawings.
- 3.Good Service: We treat our clients as God with high professionalism and passion.
- 4.Good Quality: We have strict quality control system. Good reputation in the market.
- 5.Fast Delivery: We have big discount from forwarder.

FAQ:

1.How could we know the quality, if we want to order your products?

Please just test them with a very small order, then you will know the quality. At present,so many people in the world to use Chinese products, because of the high quality and most competitive prices. We are professional manufacturer in supplying diamond tools for more than 8 years. Anyway, confirming our products quality, a small trial order for testing will be necessary.

2.Can you offer free samples?

We don't offer free samples, according to our many years experience, we think people get the samples by paying, they will cherish and appreciate more what they get. But we are willing to give our potential customers a special discount which they are used to do a testing. It is very important to give us feedback, we appreciate it.

3. Does your company accept custom-made?